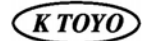


Miniature Loadcell



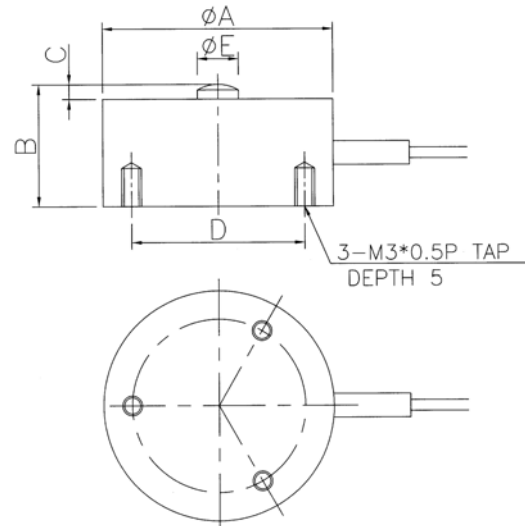
Compression

MODEL 247S

With bottom tap hole

Capacity from 2kg to 500kg

Φ25 × 10mm Height



SPECIFICATION

Model	247S
Rated Capacity (R.C)	2kg, 5, 10, 20, 50, 100, 200, 500 kg Compression only
Rated Output (R.O)	1.0 mV/V ± 10%
Non-linearity	± 0.2% R.O.
Hysteresis	± 0.2% R.O.
Repeatability	± 0.1% R.O.
Zero Balance	± 10% R.O.
Excitation, Nominal	3VDC
Excitation, Maximum	5VDC
Resistance, Input	350 Ohm ± 10 Ohm
Resistance, Output	350 Ohm ± 5 Ohm
Insulation Resistance	1000 Mega Ohm, Minimum
Temp.Range Operated	-10 ~ 60°C
Temp. Coef. Zero	±0.5% R.O. /10°C
Temp. Coef. Span	±0.5% Load /10°C
Safe Overload	150% R.C.
Cable	φ3mm PVC Jacket, 4C, Shielded cable 2m length
Cable color code	Red (+EXC), Black(-EXC), Green (+SIG), White(-SIG), Bare(Shield)

Dimension					
Capacity	A	B	C	D	E
2kg, 5kg	Φ25	10	2	20.5	Φ2.6
10kg ~ 200kg	Φ25	11	2	20.5	Φ2.6
500kg	Φ25	15	3	20.5	Φ2.6

Feature

- Miniature load cell with bottom tap hole
- Compact size for limited space

Application

- Precision force measurement